

AP-120-MNT-WJ Access Point Enclosure

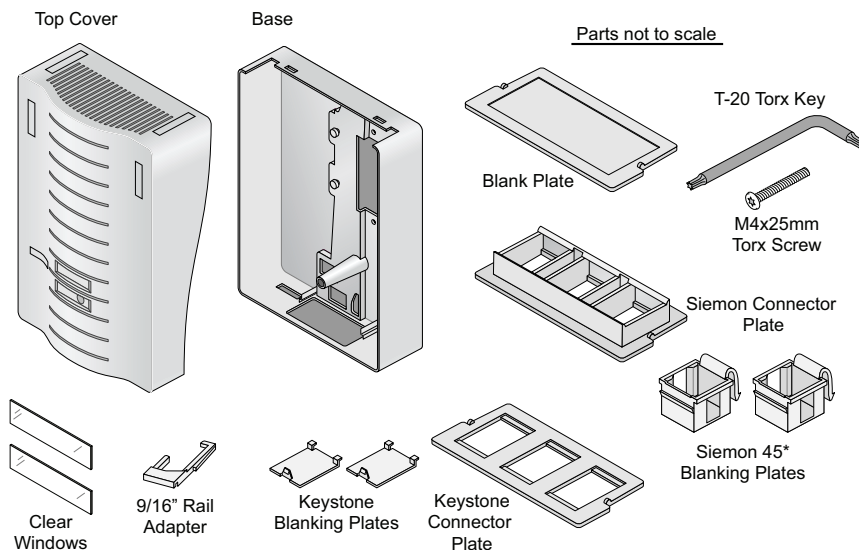
Installation Guide

Introduction

The AP-120-MNT-WJ access point (AP) enclosure allows you to install an AP-121 or AP-125 access point on the wall, directly over an installed junction box. Additionally, this enclosure can be mounted to the ceiling, using ceiling tile rails.

The AP-120-MNT-WJ kit includes the following pieces:

- Plastic base to attach over a standard installed junction box or ceiling tile rail
- Plastic enclosure cover
- The following plastic connector plate styles:
 - 1x Keystone connector plate
 - 1x Siemon connector plate
 - 1x Blank plate
- Blank fillers for unused connectors
 - 2x Keystone
 - 2x Siemon
- 1x M4 x 25mm T-20 Torx screw
- 1x T-20 Torx key
- 1x white paper label sheet
- 2x clear window to cover labels
- 9/16" rail adapter



Additional Tools

- A screwdriver that matches the screws in the cover plate over the installed junction box
- (Optional) flat-head screwdriver or similar tool to punch out antenna access cutouts

Installing the AP Enclosure

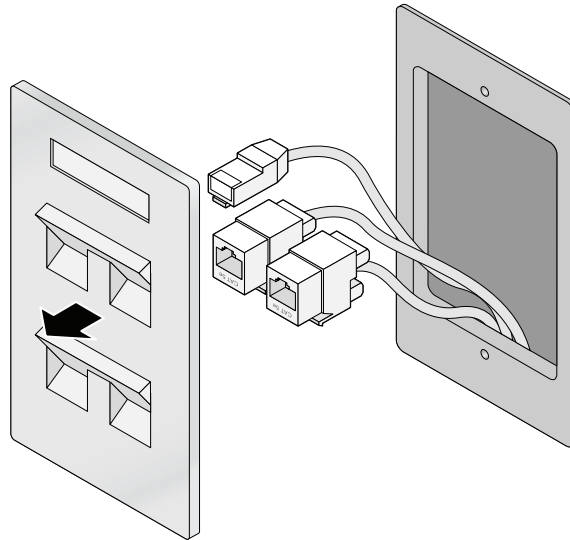
To install the AP enclosure:



For ceiling mounted APs, skip [step 1](#) and proceed to [step 2](#)

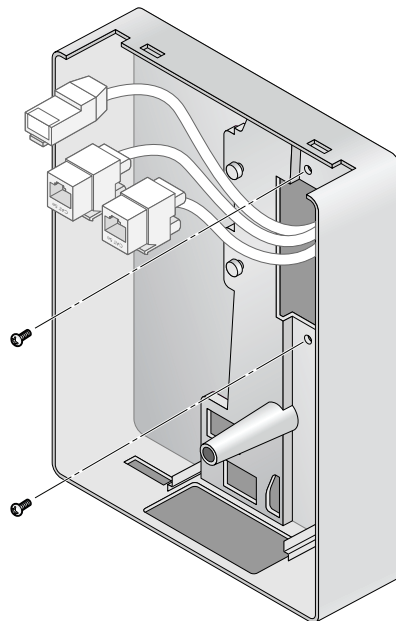
1. Attach the base plate as follows:
 - a. Remove the cover plate from an installed junction box ([Figure 1](#)). Save the screws.

Figure 1 *Removing the installed cover plate*



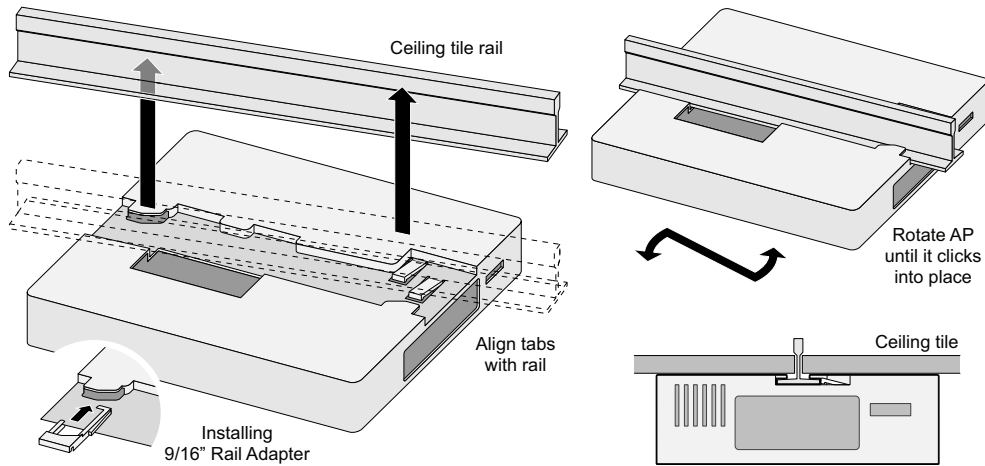
- b. Snap the cable connectors out of the removed cover plate and set the cover plate aside. Identify the Ethernet cable that will be connected to the AP-121 or AP-125. The Ethernet cable must have a male RJ-45 connector.
 - c. Attach the enclosure base plate to the junction box using the screws from the removed cover plate ([Figure 2](#)).
 - d. Skip step 2 and proceed to step 3.

Figure 2 *Attaching the base plate*



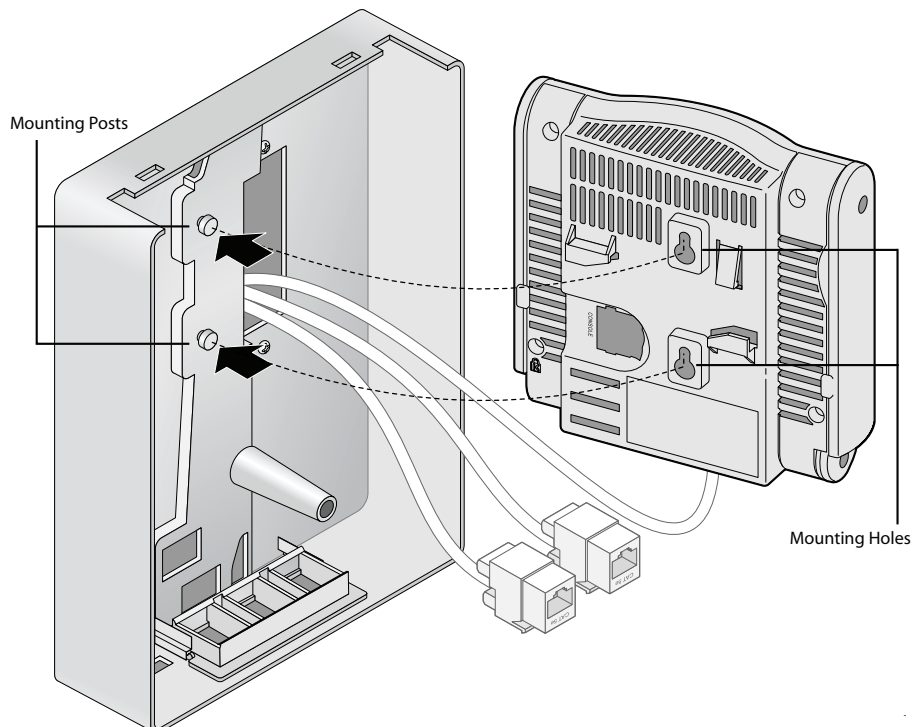
2. To install the AP enclosure on a ceiling rail:
 - a. Pull the necessary cables through a prepared hole in the ceiling tile near where the AP will be placed. The prepared hole must line up with the cable pass-through in the base plate.
 - b. (Optional) if the ceiling rail is 9/16", install the ceiling rail adapter (Figure 3).
 - c. Hold the enclosure base next to the ceiling rail with the ceiling rail at approximately a 30-degree angle to the ceiling tile rail (Figure 3).
 - d. Rotate the enclosure base clockwise until the device clicks into place on the ceiling rail.

Figure 3 Installing the AP on a ceiling rail



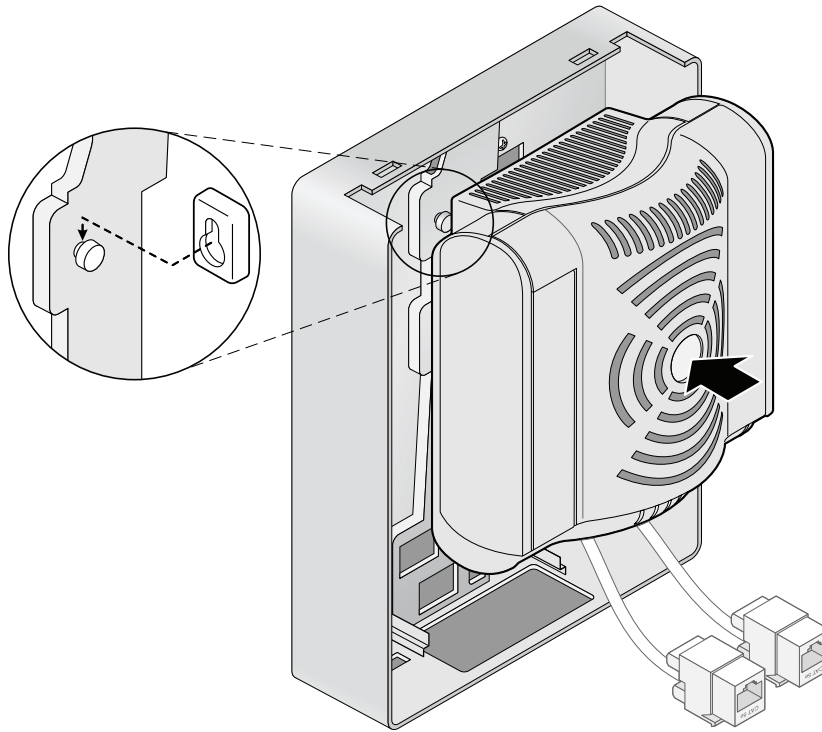
3. Connect the Ethernet cable to Ethernet port 0 on the AP. Hold the unused cables down and to the right of the screw post as you continue with the next step.
4. Attach the AP to the mounted base plate as follows:
 - a. Position the antennas on the AP along the sides of the unit.
 - b. Locate the mounting posts on the base plate and the mounting holes on the AP (Figure 4).

Figure 4 Preparing to attach the AP



- c. Align the AP mounting holes over the posts on the base plate.
- d. Push the AP against the pegs and downward, until the pegs engage the slots at the top of the mounting holes. (Figure 5)

Figure 5 *Aligning and securing the AP on the base plate*

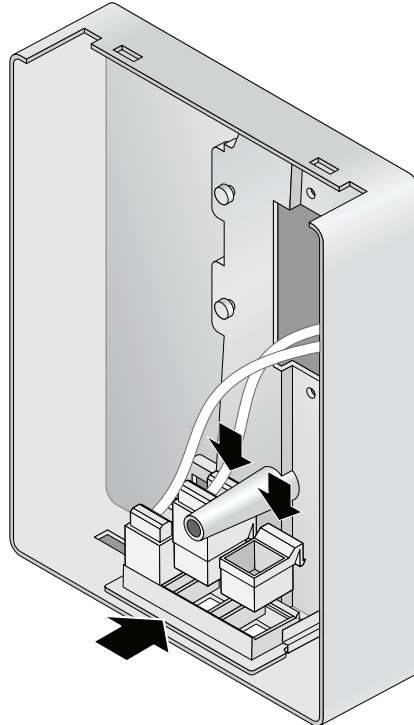


5. Attach the connector plate and connectors to the base plate as follows:
 - a. Select the connector plate that matches the existing connectors that were attached to junction box face plate.
 - b. Attach the selected connector plate by sliding it over the opening in the bottom of the base. (See [Figure 6](#)).
 - c. Once the connector plate is secure, attach the connectors to the openings in the plate. Any empty opening should be filled using one of the connector plate blanks. (See [Figure 6](#))



Once the connectors and connector plate blanks are in place, reposition the cables so they are routed below the screw post, as shown in [Figure 8](#) and [Figure 9](#).

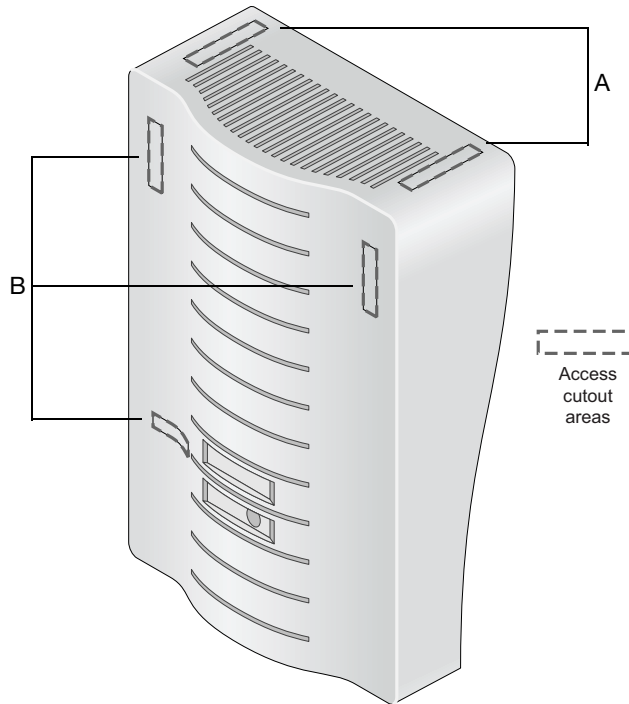
Figure 6 *Attaching connector plate and connectors (AP not shown)*



6. Position the AP's antennas so they suit your deployment scenario. If you plan on keeping the antennas hidden in the enclosure, skip this step and proceed to [step 8](#).

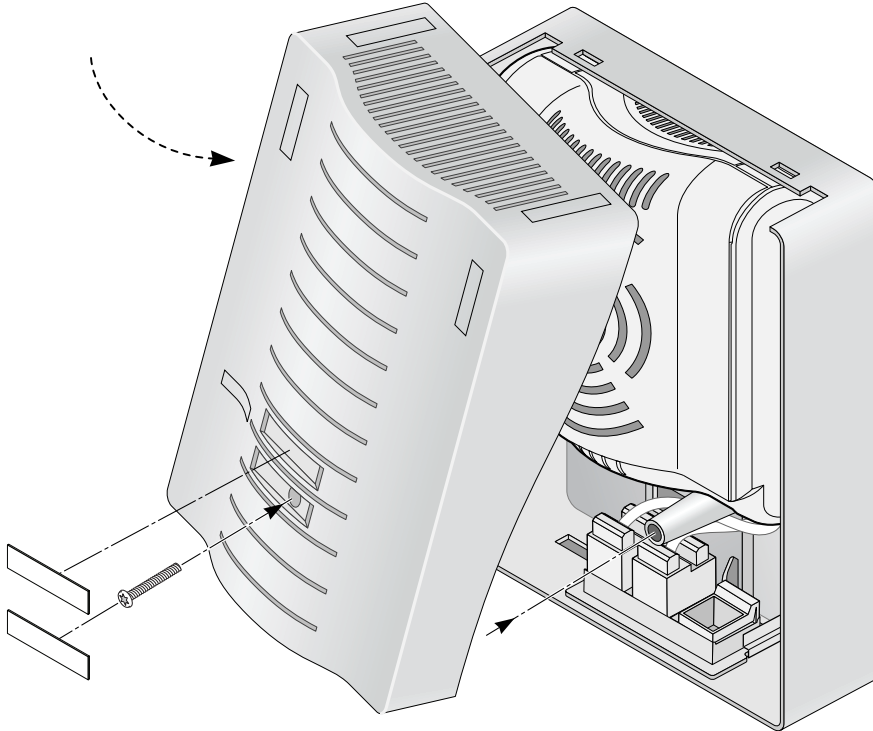
7. Before installing the cover, if the antennas are to be extended, clear the antenna access cutouts (see [Figure 7](#)).
 - a. For wall mounted APs, clear the access cutouts marked A. Note that there is a third access cutout located on the base (not illustrated). It is located next to the connector plate.
 - b. For ceiling mounted APs, clear the access cutouts marked B.
 - c. Extend the antennas as necessary.

Figure 7 *Antenna openings*



8. Install the cover the cover as shown (see [Figure 8](#)).
 - a. Attach cover to base.
 - b. Use the M4 x 25mm T-20 Torx screw and the T-20 Torx key to secure the cover to the base.
 - c. (Optional) place paper labels and clear windows over the LED and screw openings.

Figure 8 *Cover installation*



The following graphics show the completed installation.

Figure 9 *Wall mount with antennas extended*

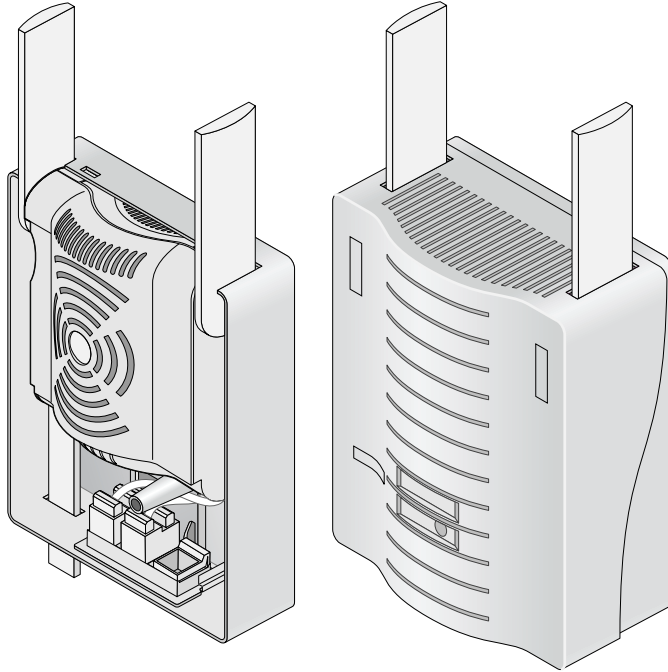


Figure 10 *Ceiling mount with antennas extended*

